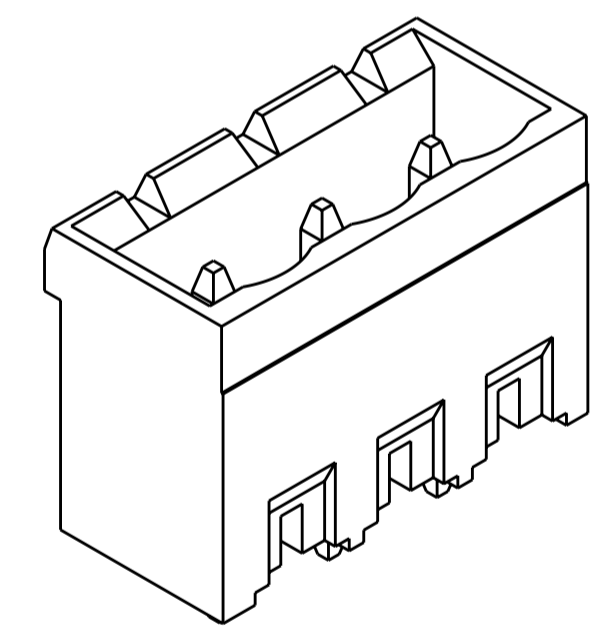
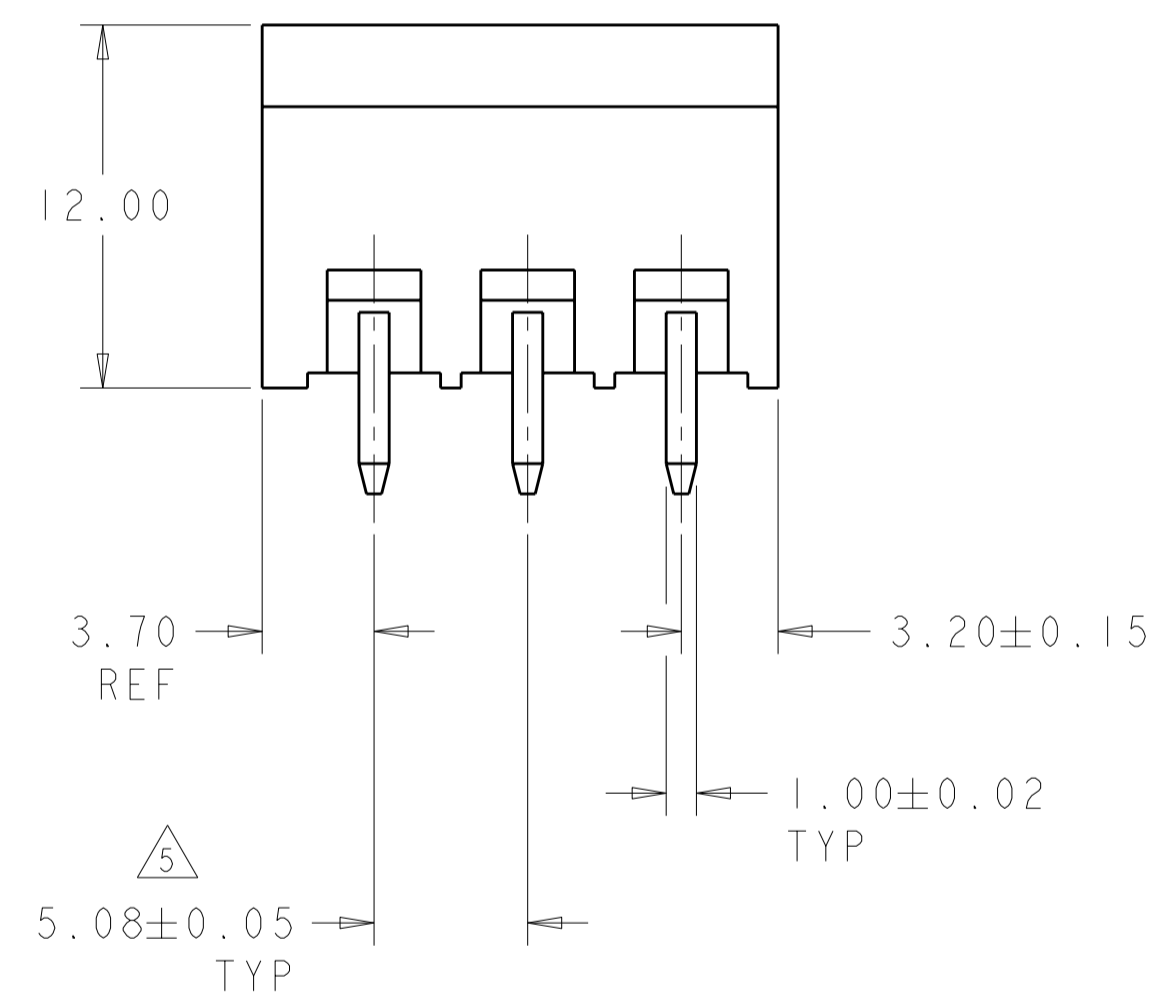
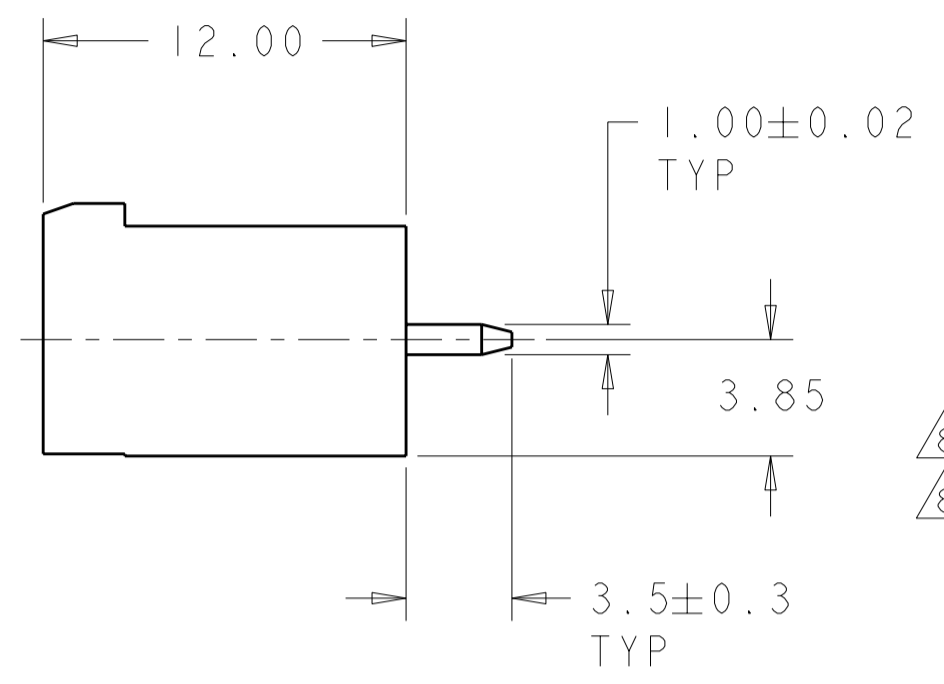
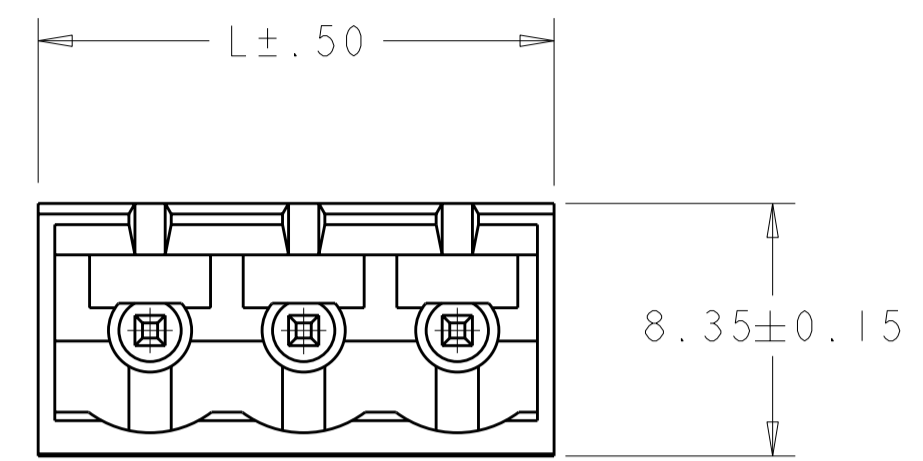
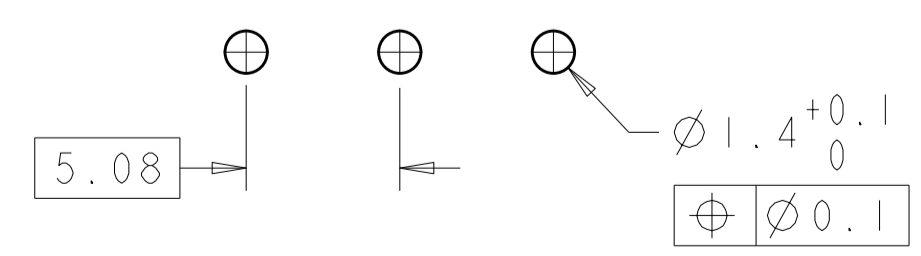


THIS DRAWING IS UNPUBLISHED. RELEASED FOR PUBLICATION 20
 © COPYRIGHT 20 BY - ALL RIGHTS RESERVED.

| REVISIONS | | | | | |
|-----------|-----|---------------------------|-----------|-----|------|
| P | LTR | DESCRIPTION | DATE | DWN | APVD |
| | C6 | REVISED PER ECO-12-007711 | 26APR2012 | KH | MS |



796636-3 AS SHOWN



RECOMMENDED PC BOARD LAYOUT

| | | | | | | |
|----------------|-------------|---------|----------|------------|-------------|------------|
| 8 | TIN | - | DETAIL N | 108.50 | 21 | 2-796636-9 |
| 8 | TIN | - | DETAIL M | 78.02 | 15 | 2-796636-8 |
| | .762µm GOLD | - | - | 42.46 | 8 | 2-796636-7 |
| | TIN | 6 | DETAIL L | 22.14 | 4 | 2-796636-6 |
| | TIN | - | - | 128.82 | 25 | 2-796636-5 |
| | TIN | - | - | 123.74 | 24 | 2-796636-4 |
| | TIN | - | - | 118.66 | 23 | 2-796636-3 |
| | TIN | - | - | 113.58 | 22 | 2-796636-2 |
| | TIN | - | - | 108.50 | 21 | 2-796636-1 |
| | TIN | - | - | 103.42 | 20 | 2-796636-0 |
| | TIN | - | - | 98.34 | 19 | 1-796636-9 |
| | TIN | - | - | 93.26 | 18 | 1-796636-8 |
| | TIN | - | - | 88.18 | 17 | 1-796636-7 |
| | TIN | - | - | 83.10 | 16 | 1-796636-6 |
| | TIN | - | - | 78.02 | 15 | 1-796636-5 |
| | TIN | - | - | 72.94 | 14 | 1-796636-4 |
| | TIN | - | - | 67.86 | 13 | 1-796636-3 |
| | TIN | - | - | 62.78 | 12 | 1-796636-2 |
| | TIN | - | - | 57.70 | 11 | 1-796636-1 |
| | TIN | - | - | 52.62 | 10 | 1-796636-0 |
| | TIN | - | - | 47.54 | 9 | 796636-9 |
| | TIN | - | - | 42.46 | 8 | 796636-8 |
| | TIN | - | - | 37.38 | 7 | 796636-7 |
| | TIN | - | - | 32.30 | 6 | 796636-6 |
| | TIN | - | - | 27.22 | 5 | 796636-5 |
| | TIN | - | - | 22.14 | 4 | 796636-4 |
| | TIN | - | - | 17.06 | 3 | 796636-3 |
| | TIN | - | - | 11.98 | 2 | 796636-2 |
| CONTACT FINISH | MARKING | SPECIAL | DIM L | NO OF POSN | PART NUMBER | |

THIS DRAWING IS A CONTROLLED DOCUMENT.

DWN: S. WELDON 19OCT2000
 CHK: D. BIEVENOUR 19OCT2000
 APVD: D. BIEVENOUR 19OCT2000

STE TE Connectivity

NAME: TERMI-BLOK HEADER ASSEMBLY, 180 DEGREE, CLOSED ENDS, 5.08mm PITCH

SIZE: A2 CAGE CODE: 00779 DRAWING NO: 796636

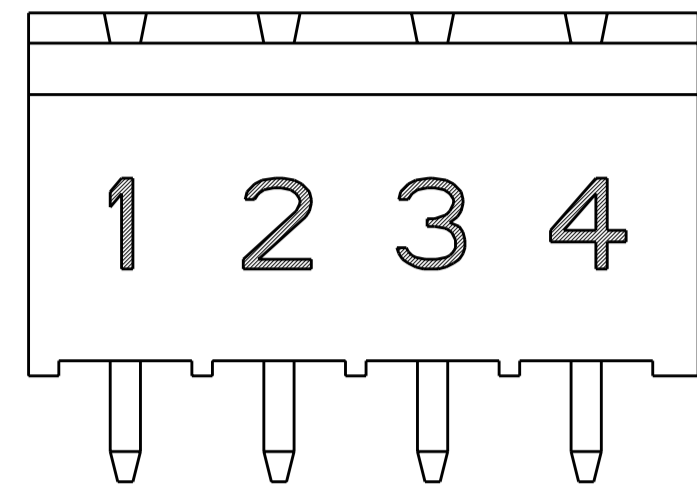
MATERIAL: TOLERANCES UNLESS OTHERWISE SPECIFIED: 0 PLC ±0.3, 1 PLC ±0.25, 2 PLC ±0.25, 3 PLC ±, 4 PLC ±, ANGLES ±, FINISH

APPLIC. SPEC: - WEIGHT: -

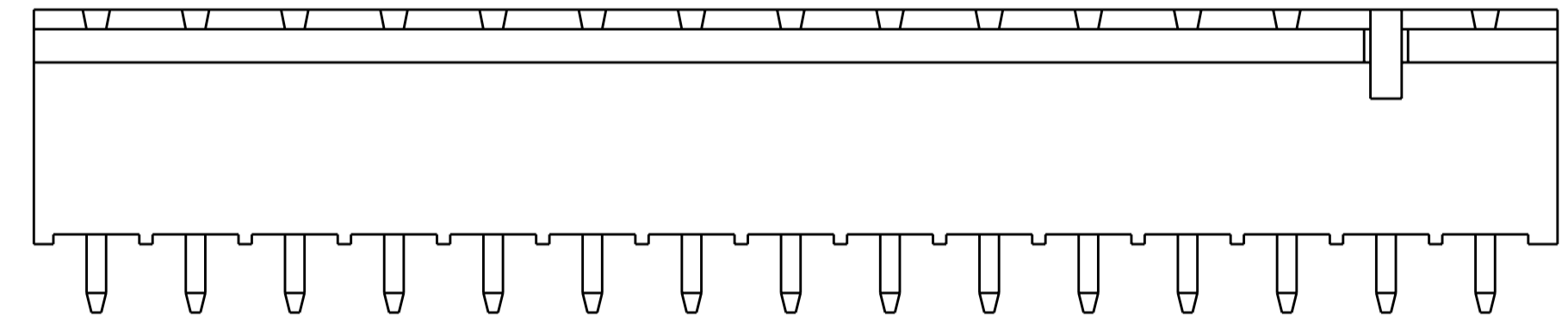
CUSTOMER DRAWING SCALE: 4:1 SHEET 1 OF 2 REV C6

THIS DRAWING IS UNPUBLISHED. RELEASED FOR PUBLICATION 20
 © COPYRIGHT 20 BY - ALL RIGHTS RESERVED.

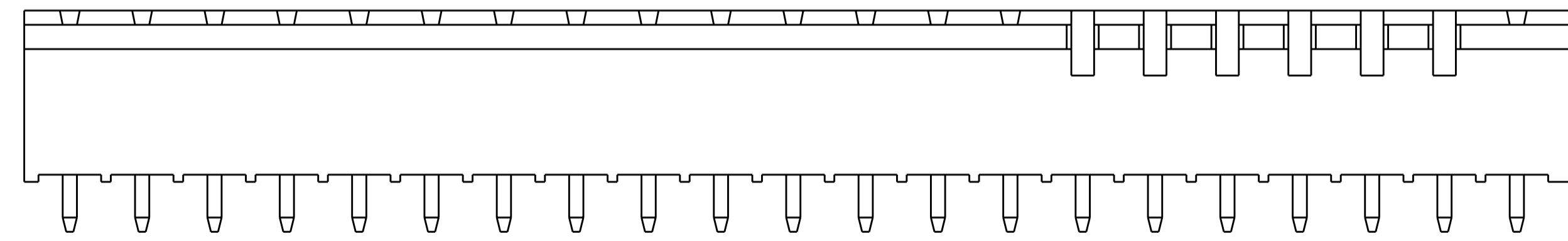
| LOC | DIST | REVISIONS | | | |
|-----|------|-------------|-------------|-----|------|
| P | LTR | DESCRIPTION | DATE | DWN | APVD |
| FT | 0 | - | SEE SHEET 1 | - | - |
| | | | | | |
| | | | | | |



DETAIL L



DETAIL M
2-796636-8



DETAIL N
2-796636-9

- 1. MATERIALS AND FINISH:
HOUSING: PA 6-6, UL 94-V0, COLOR: GREEN.
TERMINAL: COPPER ALLOY, TIN PLATED.
- 2. SUITABLE FOR 1,6-2, 4mm PC BOARD THICKNESS.
- 3. RECOGNIZED UNDER THE COMPONENT PROGRAM OF UNDERWRITERS LABORATORIES INC. FILE N° E60677.
- 4. IMQ CERTIFICATE WITH SURVEILLANCE IN CONFORMITY WITH IEC 998-1/998-2-1.
- 5. NOT CUMULATIVE TOLERANCE
- 6. INK MARKED WHITE
NUMERICAL SEQUENCE: FROM LEFT TO RIGHT.
- 7. BUCHANAN LOGO TO APPEAR ON HOUSING, LOCATION OPTIONAL WHERE SPACE PERMITS.
- 8. KEYS TO BE GLUED IN PLACE AS SHOWN.

| | | | | | | | | | | | | | | | | | |
|---|---|----------------------|-----------|---|-------|---|-------|---|-------|---|-------|---|--------|---|--------|---|--------------|
| THIS DRAWING IS A CONTROLLED DOCUMENT. | | DWN S. WELDON | 19OCT2000 | STE TE Connectivity | | | | | | | | | | | | | |
| DIMENSIONS: mm | | CHK D. BIEVENOUR | 19OCT2000 | | | | | | | | | | | | | | |
| TOLERANCES UNLESS OTHERWISE SPECIFIED: | | APVD D. BIEVENOUR | 19OCT2000 | | | | | | | | | | | | | | |
| <table border="0"> <tr><td>0 PLC</td><td>±</td></tr> <tr><td>1 PLC</td><td>±</td></tr> <tr><td>2 PLC</td><td>±</td></tr> <tr><td>3 PLC</td><td>±</td></tr> <tr><td>4 PLC</td><td>±</td></tr> <tr><td>ANGLES</td><td>±</td></tr> <tr><td>FINISH</td><td>±</td></tr> </table> | | 0 PLC | ± | | 1 PLC | ± | 2 PLC | ± | 3 PLC | ± | 4 PLC | ± | ANGLES | ± | FINISH | ± | PRODUCT SPEC |
| 0 PLC | ± | | | | | | | | | | | | | | | | |
| 1 PLC | ± | | | | | | | | | | | | | | | | |
| 2 PLC | ± | | | | | | | | | | | | | | | | |
| 3 PLC | ± | | | | | | | | | | | | | | | | |
| 4 PLC | ± | | | | | | | | | | | | | | | | |
| ANGLES | ± | | | | | | | | | | | | | | | | |
| FINISH | ± | | | | | | | | | | | | | | | | |
| MATERIAL | | APPLICATION SPEC | - | NAME TERMI-BLOK HEADER ASSEMBLY, 180 DEGREE, CLOSED ENDS, 5.08mm PITCH | | | | | | | | | | | | | |
| | | WEIGHT | - | SIZE A200779 | | | | | | | | | | | | | |
| | | CUSTOMER DRAWING | | CAGE CODE C-796636 | | | | | | | | | | | | | |
| | | | | DRAWING NO - | | | | | | | | | | | | | |
| | | | | RESTRICTED TO - | | | | | | | | | | | | | |
| | | | | SCALE 4:1 SHEET 2 OF 2 REV C6 | | | | | | | | | | | | | |